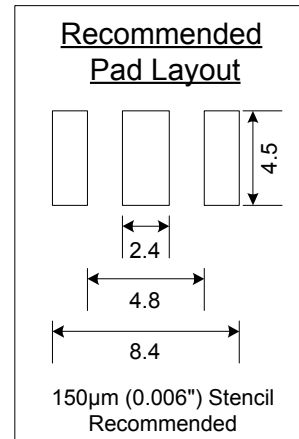
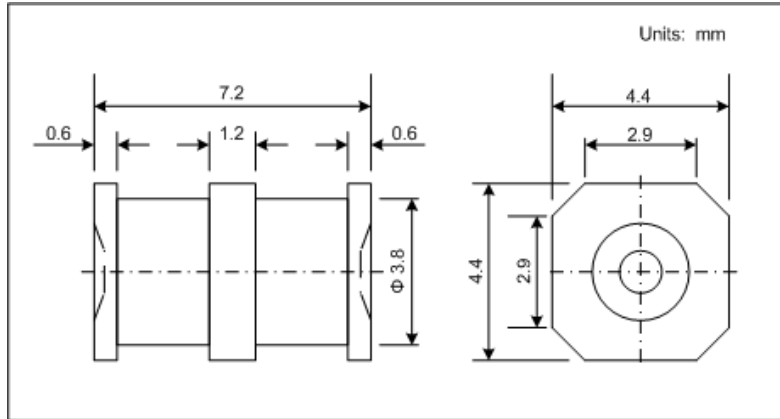


# Surface Mount Gas Tube Surge Arrester

Part Number: 3SD4-230



**Features:**

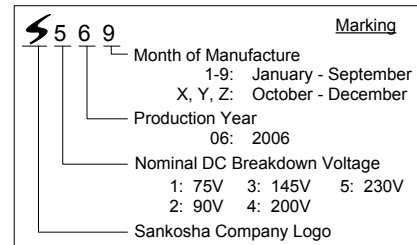
- UL 497B Recognized - File E140906
- RoHS Compliant - 100% Lead Free
- Very Low Capacitance: 0.5 pF
- Non-Radioactive
- ISO Certified

**Applications:**

- Transient Voltage Surge Suppression
- Telephone Network Interfaces
- Modems/Cable Modems
- xDSL Modems and Peripherals
- Building Entry/Outside Plant

**Packaging:**

Tape & Reel per EIA Standard. See page 2.



**Electrical Characteristics**

1	DC Breakdown Voltage	100 V/sec	230V ± 20%	(L1-E) (L2-E)	
2	Impulse Breakdown Voltage	100V/µsec	< 550V	(L1-E) (L2-E)	
		1kV/µsec	< 650 V	(L1-E) (L2-E)	
3	Insulation Resistance	DC100V	> 10,000 M-Ω		
4	Capacitance	1 MHz	< 1.0 pF		
5	DC Holdover Voltage	See Note	< 135V	Note: ITU-T K.12 or IEEE C62.31-1987 Test Circuit	
6	Impulse Life	8/20 µsec	100A x 2	1000 Times	(L1+L2-E)
7	Impulse Discharge Current	8/20 µsec	10 kA	(L1+L2-E)	
8	AC Discharge Current	50 Hz	10 A	One Second	(L1+L2-E)

**After Life Tests**

9	DC Breakdown Voltage	100 V/sec	230V ± 30%		
10	Impulse Breakdown Voltage	100V/µsec	< 750 V		
11	Insulation Resistance	DC 50 V	> 100 M-Ω		

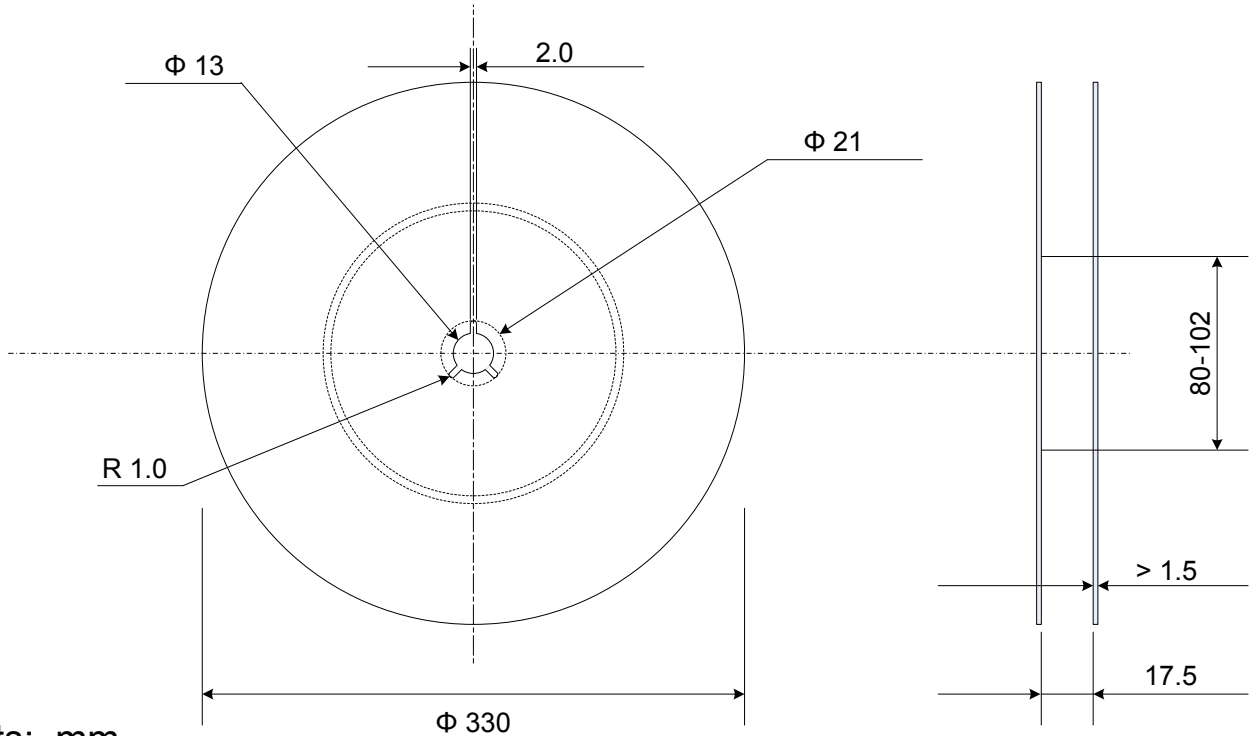
SANKOSHA

SANKOSHA

# 3SD4 Series – Reel Dimensions

1,800 pcs. per reel

Sankosha U.S.A., Inc.  
www.sankosha-usa.com  
(888) 711-2436



Units: mm

# 3SD4 Series Tape Dimensions

Unit: mm

