

Coaxial Surge Protectors (SPD's)

Part Number: **CX-H**



Features:

- High reliability protection from surges caused by lightning or other electrical transients
- Meets IEC 61643-21 compliance, Category C2 & D1 Impulse Requirements
- High energy / low capacitance GDT technology
- High durability and RoHS Compliant
- Low insertion loss
- High frequency



100% Lead-Free (RoHS Compliant)

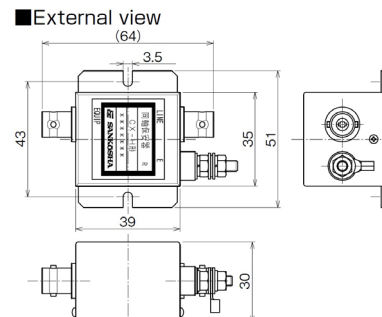
Electrical Characteristics	
Frequency Range	DC - 10MHz
Maximum Continuous Operating Voltage	12V
Voltage Protection Level - U_p (Impulse Breakdown V)	$\geq 1000V$ (to ground), 110V (between conductors)
Technology Type	Gas Discharge Tube (GDT)
Insertion Loss	< 0.5dB
Maximum Current - Category C2 (8/20 μs)	5kA (10 times)
Maximum Current - Category D1 (10/350 μs)	2.5kA (2 times)
Impedance	75 Ω
Insulation Resistance (at 100V _{DC})	$\geq 2.4M \Omega$
Leakage Current	$\leq 5\mu A$

Mechanical Characteristics	
Connector Type	BNC Type (J-J)
Connection Method	Series (Not Bidirectional)
Grounding	Screw
Weight	92g (3.25oz)

Environmental Characteristics	
Environmental Rating	IP20
Operating Temperature Range	-40°C to +70°C (-40°F to 158°F)
Maximum Operating Altitude	2000m (6562ft)
Relative Humidity	$\leq 90\%$

Applications:

- Monitoring Cameras
- Security Systems
- Baseband Video
- Video Transmission and Receiving



SANKOSHA

SANKOSHA