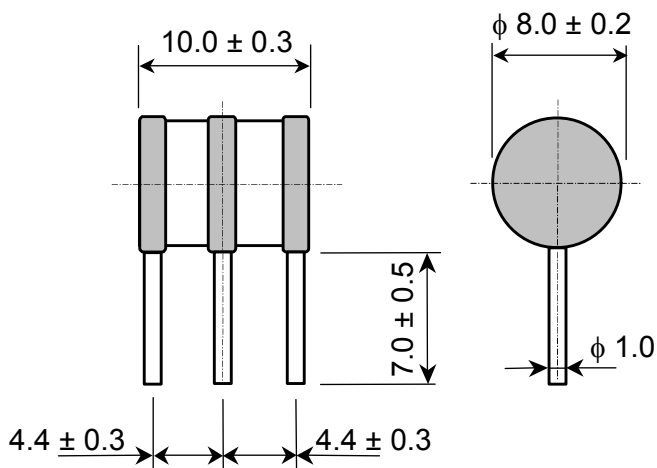


Three Electrode Gas Tube Surge Arrester

Part Number: 3H-350J1



3H-350J1




Applications:

Transient Voltage Surge Suppression
 Telephone Network Interfaces
 Modems/Cable Modems
 xDSL Modems and Peripherals
 Building Entry/Outside Plant

Features:

UL 497B Recognized
 UL File E140906
 Non-Radioactive
 100% Lead-Free (RoHS Compliant)
 Durable Construction
 Low Capacitance
 Proven Performance
 ISO 9001 Certified
 World Renowned Quality

Marking

3H350J1 – Part Number Abbreviation
 **01 7**
 Month of Manufacture
 1-9: January - September
 X, Y, Z: October - December
 Production Year
 01: 2001
 Sankosha Company Logo

Electrical Characteristics

1.	DC Breakdown Voltage	100 V/sec	280 - 420V	(L1-E) (L2-E)		
2.	Impulse Breakdown Voltage	1 kV/μsec	< 900V	(L1-E) (L2-E)		
3.	Insulation Resistance	DC 100V	> 10,000 M-ohm			
4.	Capacitance	1 MHz	< 3.0 pF			
5.	DC Holdover Voltage	See Note	< 135V	Note: In accordance with ITU-T K.12		
6.	Impulse Life	10/1000 μsec	200 A	> 300 times	(L1+L2-E)	
7.	Impulse Discharge Current	8/20 μsec	20 kA	Each Polarity 5 Times	(L1+L2-E)	
8.	AC Discharge Current	50 Hz	10 A	One Second	10 Times	(L1+L2-E)

After Life Tests

9.	DC Breakdown Voltage	100 V/sec	260-455V			
10.	Impulse Breakdown Voltage	1 kV/μsec	< 1100V			
11.	Insulation Resistance	DC 100V	> 100 M-ohm			

SANKOSHA

SANKOSHA