

1000 Base-T LAN Protector

Part Number: LAN-1000IS

**RoHS
Compliant**

Features:

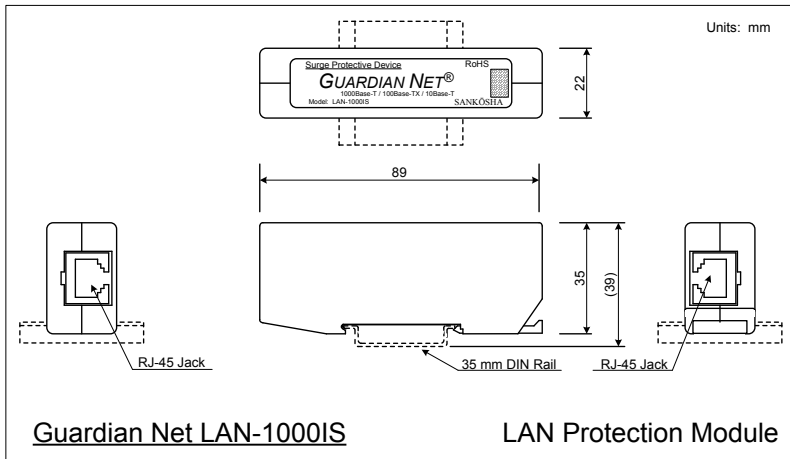
- High Speed 1000Base-T
- IEEE 802.3ab Compliant
- No Grounding Required (Insulating Type)
- DIN Rail or Surface Mountable
- 1000Mbps Data Rate
- Isolation Transformer Technology
- GbE - Gigabit speed surge protection
- CAT5 and CAT5e Compatible
- All pins protected
- 100% Lead-Free (RoHS Compliant)



Connector Style	RJ45 CATe UTP
Data Rate/Protocol	1000 Base-T – GbE 100 Base-TX 10 Base-T
Frequency	1MHz to 100MHz
Attenuation	< 3.0dB
Near End Crosstalk (NEXT)	> 30dB
AC Withstand Voltage	> 3kV
Impulse Withstand Voltage	> 5kV
Insulation Resistance	> 500 Megaohm 50DC - Between Primary & Secondary
Protection Technology	Isolation Transformer
Humidity	90% non-condensing
Operating/Storage Temperature	-35° C to +60° C
Weight	1.92 oz (54 g)
Module Case Material	ABS Plastic, UL94 V-0 Flame Rating

Applications:

- GigE Data Line Surge Protection
- Remote Networking Equipment
- Routers and Access Points
- IP Phone Systems
- Office Networks
- Security Camera Systems
- WiMax Systems



SANKOSHA

SANKOSHA