

1000 Base-T PoE plus LAN Protector

Part Number: LAN-CAT5e-P+



**RoHS
Compliant**

Features:

- High Speed 1000Base-T
- For Power Over Ethernet Plus (PoE+) Applications
- IEEE 802.3af PoE and 802.3at PoE+ Compliant
- DIN Rail or Surface Mountable
- 1000Mbps Data Rate
- Meets IEC 61643-21, 61000-4-5
- Category C2 & D1 Impulse Requirements
- GbE - Gigabit speed surge protection
- CAT5 and CAT5e Compatible
- All pins protected



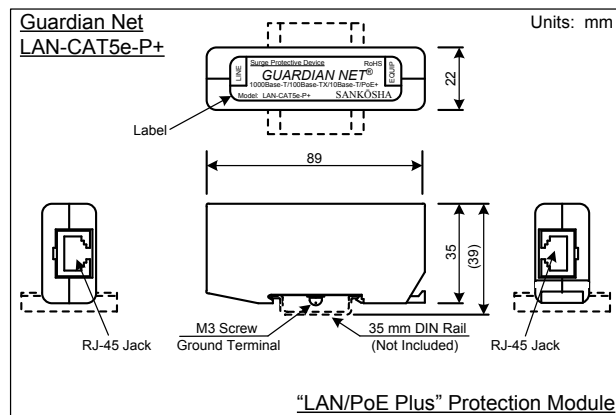
100% Lead-Free (RoHS Compliant)

Connector Style	RJ45 CAT5e STP
Data Rate/Protocol	1000 Base-T - GbE 100 Base-TX 10 Base-T PoE Plus
Frequency	DC to 100 MHz
Attenuation	Less than 1.0dB (DC to 100 MHz)
DC Breakdown Voltage	< 50V (1 mA) (Between each line and earth)
Current Rating (In)	600mA
Near End Crosstalk (NEXT)	> 30dB
Maximum Continuous Operating Voltage	60VDC (PoE), 30VDC (L-E)
Current Rating	500 mA (PoE)
Voltage Protection Level	Max 250V (1.2/50µs10kV) (Between each line and earth)
Impulse Durability	8/20µs 5kA 10 Times (Cat. C2) 10/350µs 2.5kA 2 Times (Cat. D1)
Humidity	90% non-condensing
Operating/Storage Temperature	-35° C to +60° C
Weight	1.92 oz (54 g)
Module Case Material	ABS Plastic, UL94 V-0 Flame Rating

UL 497B Listed: File E140906

Applications:

- GigE Data Line Surge Protection
- Remote Networking Equipment
- Routers and Access Points
- IP Phone Systems
- Office Networks
- Security Camera Systems
- WiMax Systems



SANKOSHA

SANKOSHA