

1000 Base-T PoE Plus LAN Protector

Part Number: **LAN-CAT5e-P+ II**



**RoHS
Compliant**

Features:

- Protects 1000Base-T, 100 Base-TX, 10 Base-T, PoE and PoE Plus
- IEEE 802.3af PoE and 802.3at PoE+ Compliant
- Meets IEC 61643-21, 61000-4-5 Category C2 & D1 Impulse Requirements
- GbE - Gigabit speed surge protection
- CAT5 and CAT5e Compatible
- All pins protected
- DIN Rail or Surface Mountable



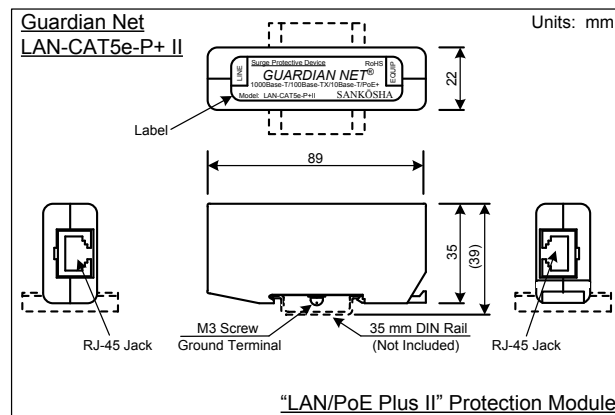
100% Lead-Free (RoHS Compliant)

Connector Style	RJ45 CAT5e STP and UTP	
Data Rate/Protocol	1000 Base-T - GbE 100 Base-TX 10 Base-T PoE (Alternative A & B) PoE Plus (Alternative A & B)	IEEE 802.3ab IEEE 802.3u IEEE 802.3 IEEE 802.3af IEEE 802.3at
Frequency	DC to 100 MHz	
Attenuation	Less than 1.0dB (DC to 100 MHz)	
DC Breakdown Voltage 100V/sec.	180-300V (1 mA)	Between each line and earth.
Near End Crosstalk (NEXT)	> 30dB	
Current Rating	600mA (PoE)	IEEE 802.3af
Maximum Continuous Operating Voltage	60VDC	
Voltage Protection Level	Max 500V (1.2/50µs10kV)	Between each line and earth.
Impulse Durability	8/20µs 5kA 10 Times (Cat. C2) 10/350µs 2.5kA 2 Times (Cat. D1)	IEC 61643-21 IEC 61000-4-5
Humidity	90% non-condensing	
Operating/Storage Temperature	-35° C to +60° C	
Weight	1.94 oz (55 g)	

UL 497B Listed: File E140906

Applications:

- Power Over Ethernet Plus (PoE+)
- GigE Data Line Surge Protection
- Remote Networking Equipment
- Routers and Access Points
- IP Phone Systems
- Office Networks
- Security Camera Systems
- WiMax Systems



SANKOSHA

SANKOSHA