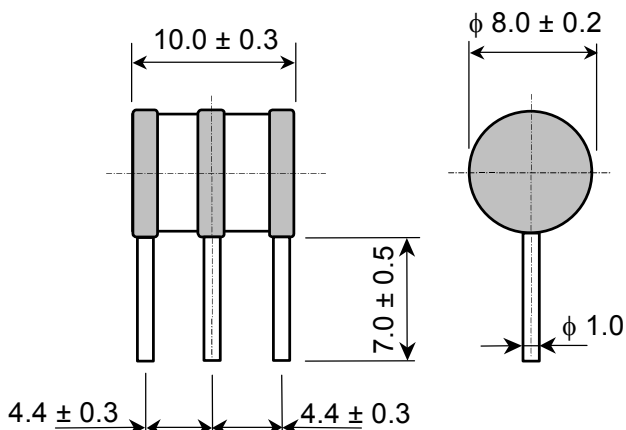


# Three Electrode Gas Tube Surge Arrester

Part Number: 3H-500J1



## 3H-500J1




### Applications:

Transient Voltage Surge Suppression  
 Telephone Network Interfaces  
 Modems/Cable Modems  
 xDSL Modems and Peripherals  
 Building Entry/Outside Plant

### Features:

UL 497B Recognized  
 UL File E140906  
 Non-Radioactive  
 100% Lead-Free (RoHS Compliant)  
 Durable Construction  
 Low Capacitance  
 Proven Performance  
 ISO 9001 Certified  
 World Renowned Quality

### Marking

**3H500** - Part Number Abbreviation  
 **01 7**  
 - Month of Manufacture  
 1-9: January - September  
 X, Y, Z: October - December  
 - Production Year  
 01: 2001  
 - Sankosha Company Logo

### Electrical Characteristics

1.	DC Breakdown Voltage	100 V/sec	400 - 600V	(L1-E) (L2-E)		
2.	Impulse Breakdown Voltage	1 kV/μsec	< 1200V	(L1-E) (L2-E)		
3.	Insulation Resistance	DC 100V	> 10,000 M-ohm			
4.	Capacitance	1 MHz	< 3.0 pF			
5.	DC Holdover Voltage	See Note	< 135V	Note: In accordance with ITU-T K.12		
6.	Impulse Life	10/1000 μsec	200 A	> 300 times	(L1+L2-E)	
7.	Impulse Discharge Current	8/20 μsec	20 kA	1 Time	(L1+L2-E)	
	Impulse Discharge Current	8/20 μsec	10 kA	Each Polarity 5 Times	(L1+L2-E)	
8.	AC Discharge Current	50 Hz	10 A	One Second	10 Times	(L1+L2-E)

### After Life Tests

9.	DC Breakdown Voltage	100 V/sec	400-650V			
10.	Impulse Breakdown Voltage	1 kV/μsec	< 1300V			
11.	Insulation Resistance	DC 100V	> 100 M-ohm			

SANKOSHA

SANKOSHA